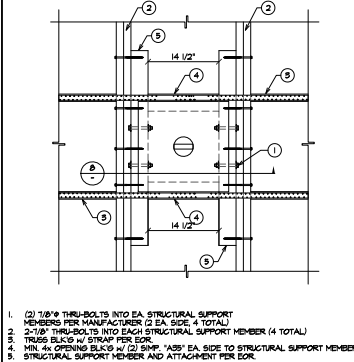
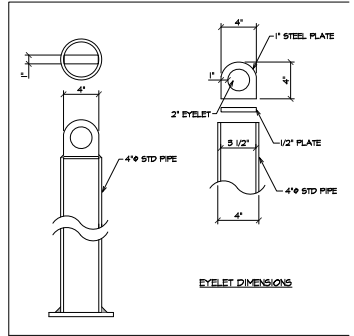
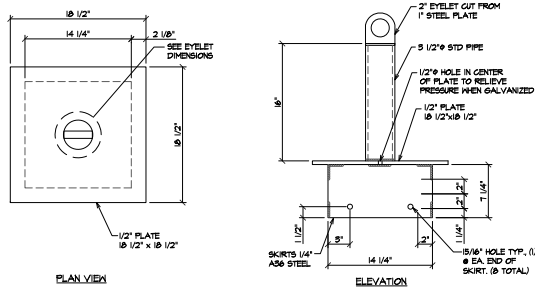


**NOTE:**  
 1. HARDY TIE BACK ANCHOR FABRICATOR IS TORBIN STEEL, L.A. CITY FABRICATOR  
 LICENSE #102-100-0001 (ISSUE 1/1/00) JAPMO ER# 46  
 2. HARDY TIE BACK ANCHOR DEVICE HAS BEEN TESTED BY CERTIFIED TESTING AGENCY  
 TO MEET OR EXCEED OSHA AND CALIFORNIA REQUIREMENTS.  
 3. HARDY TIE BACK ANCHOR REQUIRES A ROUGH OPENING OF 14 1/2" x 14 1/2".



## NOTES

HARDYFALL PROTECTION SYSTEMS, INC.

**INSTALLATION INSTRUCTIONS:**

- INSTALL AFTER COMPLETION OF JOIST, TRUSS, RAFTERS.
  - BEST TO INSTALL DURING SHEATHING OR AFTER SHEATHING IS COMPLETE. MAKING IT EASIER TO DISTRIBUTE HTB-DEVICES ON ROOF.
- HTB-DEVICES ARE DESIGNED TO FIT WITHIN A STANDARD 8\"/>
  - SUPPORTS (BEAMS, TRUSSES) FOR THE HTB-DEVICE ARE TO BE DESIGNED BY EOR.
  - INSTALL MINIMUM 4x BLOCKING EA END OF HTB-DEVICE BETWEEN STRUCTURAL MEMBERS. CONNECT BLOCKS W/ (2) 1/2\"/>
- SET HTB-DEVICE IN THE OPENING. MAKE SURE THAT THE EYE ON TOP OF THE DEVICE IS PERPENDICULAR TO THE OUTSIDE WALLS. FASTEN THE SKIRTS WITH (2) 1/8\"/>

**NOTE**  
 IF SHEATHING IS COMPLETE PRIOR TO SETTING HTB'S, PROVIDE AN 18 3/4\"/>

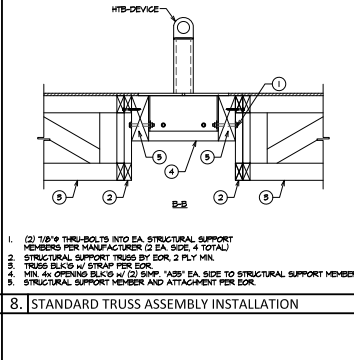
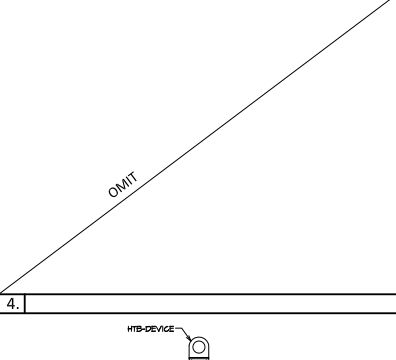
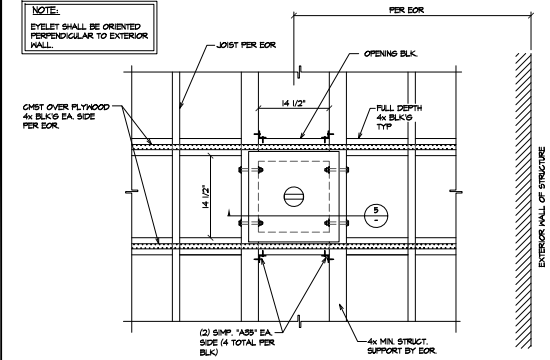
**ANY QUESTIONS REGARDING INSTALLATION**  
 CALL: GARY HARDY (805) 404-5196  
 ANCHOR TESTING SHALL BE CONDUCTED BY QUALIFIED PERSONNEL UNDER THE SUPERVISION OF A PROFESSIONAL ENGINEER IN ACCORDANCE WITH THE CALIFORNIA CODE OF REGULATIONS, TITLE 8, SECTION 5206.

1. TYPICAL TIE BACK ANCHOR ASSEMBLY

7. STANDARD HTB LAYOUT (TRUSS FRAMING)

## TESTING AND APPROVALS

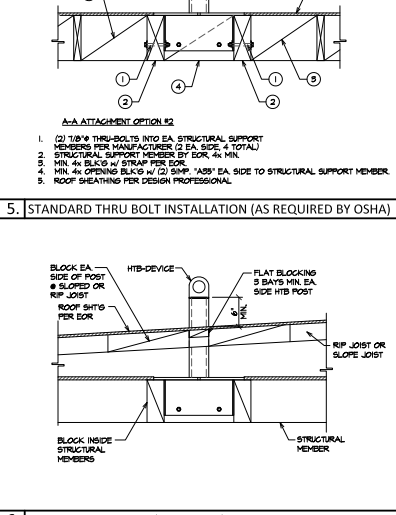
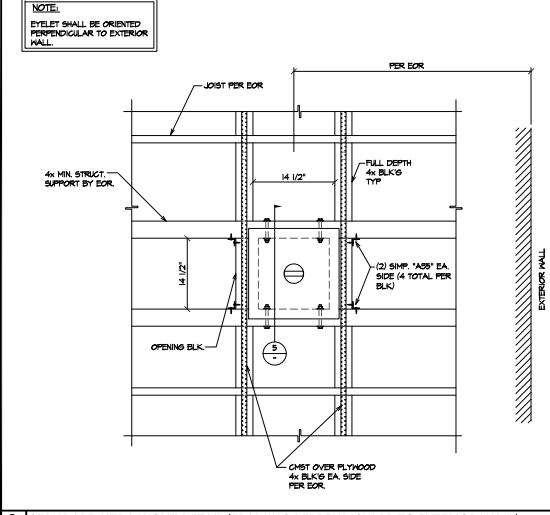
- INTERNATIONAL ASSOCIATION OF PLUMBING AND MECHANICAL OFFICIALS APPROVAL: (IES-ER-046) (AVAILABLE UPON REQUEST)
- ROOF TIE-BACK ANCHOR TEST PROGRAM FOR 5th AND HUNTINGTON APARTMENTS, 1212 SOUTH 5th AVE, MONROVIA, CA. PREPARED BY SPECIALIZED TESTING, PROJECT NO. STATH7647, DATED JULY 20, 2011 (AVAILABLE UPON REQUEST)



2. STANDARD HTB LAYOUT DETAIL (FRAMING PARALLEL TO EXTERIOR WALL)

4. OMIT

8. STANDARD TRUSS ASSEMBLY INSTALLATION



3. STANDARD HTB LAYOUT DETAIL (FRAMING PERPENDICULAR TO EXTERIOR WALL)

6. SLOPE ROOF DETAIL (SIDE VIEW)

9. SLOPE ROOF DETAIL (TOP VIEW)

HARDY ROOF TIE-BACK SYSTEM IDENTIFICATION

**HARDY FALL PROTECTION SYSTEMS, INC.**

4288 Clubhouse Dr. Somis, CA 93066  
 805-404-5196

PATENT PENDING  
 MADE IN THE USA

IAPMO ER No. 461

HARDY TIE BACK ANCHOR DEVICE AND TYPICAL INSTALLATION DETAILS  
 HARDY FALL PROTECTION SYSTEM INC.  
 4288 CLUBHOUSE DR.  
 SOMIS CA 93066  
 EMAIL: GARYHARDY@GMAIL.COM  
 PH: (805) 404-5196  
 Job Number: \_\_\_\_\_  
 Scale: NOT TO SCALE  
 Date: MARCH 3, 2018  
 Drawing Number: HTB  
 18227 OF