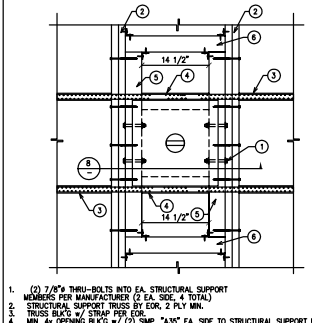
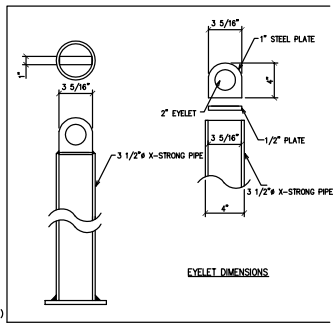
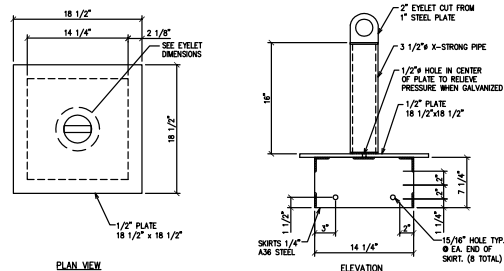


- NOTES:**
- HARDY TIE BACK ANCHOR FABRICATOR IS TORBIN STEEL, LA CITY FABRICATOR
 - LICENSE #2075 OCC FOR 1822, WPHM FRM 401
 - HARDY TIE BACK ANCHOR DEVICE HAS BEEN TESTED BY CERTIFIED TESTING AGENCY TO MEET OR EXCEED OSHA AND CALIFORNIA REQUIREMENTS.
 - HARDY TIE BACK ANCHOR REQUIRES A ROUGH OPENING OF 14 1/2" x 14 1/2".



- (2) 7/8" THRU-BOLTS INTO EA. STRUCTURAL SUPPORT MEMBER PER MANUFACTURER (2 EA. SIDE, 4 TOTAL)
- STRUCTURAL SUPPORT TRUSS BY EOR, 2 PLY MIN.
- TRUSS BULK w/ STRAP PER EOR.
- MIN. 4x BULK w/ (2) SMP, "A35" EA. SIDE TO STRUCTURAL SUPPORT MEMBER.
- STRUCTURAL SUPPORT MEMBER AND ATTACHMENT PER EOR.
- 4x END BLOCK w/ (2) SMP, "A35" EA. SIDE TO SUPPORT MEMBER AND SUPPORT TRUSS IF REQUIRED BY EOR.

NOTES

HARDYFALL PROTECTION SYSTEMS INC.

INSTALLATION INSTRUCTIONS:

- INSTALL AFTER COMPLETION OF JOIST, TRUSSES, RAFTERS,
 - BEST TO INSTALL DURING SHEATHING OR AFTER SHEATHING IS COMPLETE, MAKING IT EASIER TO DISTRIBUTE HTB-DEVICES ON ROOF.
- HTB-DEVICES ARE DESIGNED TO FIT WITH A STANDARD "J" JOIST LAYOUT. THE ROUGH OPENINGS ARE TO BE 14 1/2"x14 1/2"
- SUPPORTS (BEAMS, TRUSSES) FOR THE HTB-DEVICE ARE TO BE DESIGNED BY EOR.
- INSTALL MINIMUM 4x BLOCKING EA. END OF HTB-DEVICE BETWEEN STRUCTURAL MEMBERS. CONNECT BULK w/ (2) SMP TO EA. SIDE (4 TOTAL PER BLOCK). PROVIDE 4x BULK'S MINIMUM 2 BAYS EA. DIRECTION FROM 4x BLOCKING AT HTB-DEVICE.
- SET HTB-DEVICE IN THE OPENING. MAKE SURE THAT THE EYE ON TOP OF THE DEVICE IS PERPENDICULAR TO THE OUTSIDE WALLS. FASTEN THE SORTS WITH (2) 7/8" THRU-BOLTS AT EA. SIDE OF STRUCTURAL MEMBERS. (6) TOTAL HOLES ARE PROVIDED IN SORTS FOR BOLT LOCATIONS.

HTB PROPERTIES:

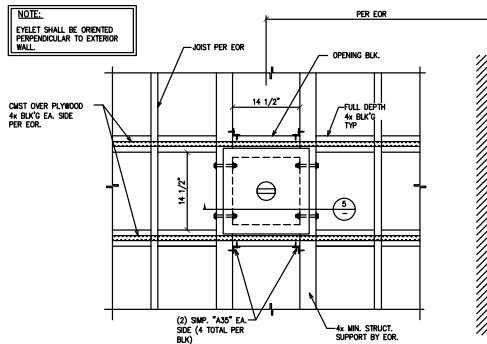
TYPE	WEIGHT	FASTENERS
HTB-16	95 LBS	4-7/8" BOLTS, NUTS AND WASHERS
HTB-24	130 LBS	6-7/8" BOLTS, NUTS AND WASHERS
HTB-32	150 LBS	8-7/8" BOLTS, NUTS AND WASHERS

NOTE: PROPERTIES AND DIMENSIONS IN THIS DRAWINGS SHOW HTB-16 INSTALLATION OF HTB-24 AND HTB-32 IS SIMILAR

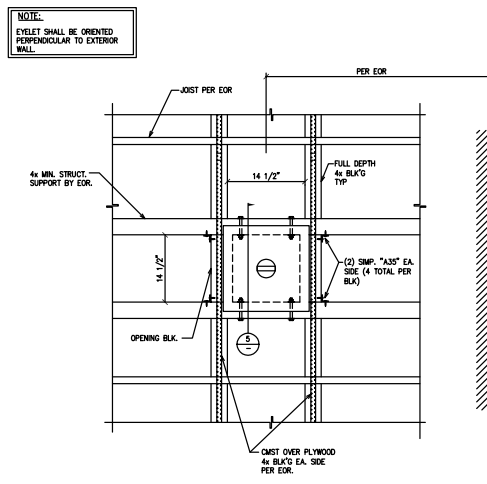
NOTE
IF SHEATHING IS COMPLETE PRIOR TO SETTING HTBS, PROVIDE AN 18 3/4" X 18 3/4" OPENING IN PLYWOOD AT HTB LOCATION. THIS WILL ALLOW HTB TO SET DIRECTLY ON STRUCTURAL MEMBERS.

ANY QUESTIONS REGARDING INSTALLATION CALL GARY HARDY 1 (805) 404-5196
ANCHOR TESTING SHALL BE CONDUCTED BY QUALIFIED PERSONNEL UNDER THE SUPERVISION OF A PROFESSIONAL ENGINEER IN ACCORDANCE WITH THE CALIFORNIA CODE OF REGULATIONS, TITLE 8, SECTION 3206.

1. HTB-16 TIE BACK ANCHOR ASSEMBLY

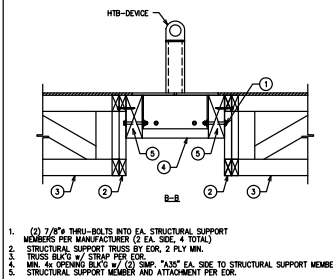


2. STANDARD HTB LAYOUT DETAIL (FRAMING PARALLEL TO EXTERIOR WALL)



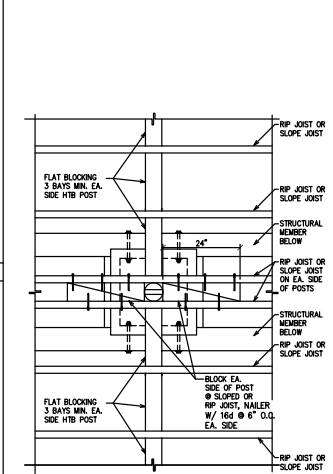
3. STANDARD HTB LAYOUT DETAIL (FRAMING PERPENDICULAR TO EXTERIOR WALL)

7. STANDARD HTB LAYOUT (TRUSS FRAMING)

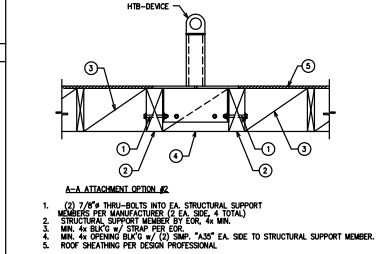


- (2) 7/8" THRU-BOLTS INTO EA. STRUCTURAL SUPPORT MEMBER PER MANUFACTURER (2 EA. SIDE, 4 TOTAL)
- STRUCTURAL SUPPORT TRUSS BY EOR, 2 PLY MIN.
- TRUSS BULK w/ STRAP PER EOR.
- MIN. 4x BULK w/ (2) SMP, "A35" EA. SIDE TO STRUCTURAL SUPPORT MEMBER.
- STRUCTURAL SUPPORT MEMBER AND ATTACHMENT PER EOR.
- 4x END BLOCK w/ (2) SMP, "A35" EA. SIDE TO SUPPORT MEMBER AND SUPPORT TRUSS IF REQUIRED BY EOR.

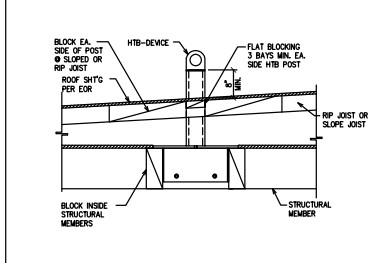
8. STANDARD TRUSS ASSEMBLY INSTALLATION



4. OMIT



5. STANDARD THRU BOLT INSTALLATION (AS REQUIRED BY OSHA)



6. SLOPE ROOF DETAIL (SIDE VIEW)

9. SLOPE ROOF DETAIL (TOP VIEW)

TESTING AND APPROVALS

- INTERNATIONAL ASSOCIATION OF PLUMBING AND MECHANICAL OFFICIALS APPROVAL: ICS-OR-0481 (AVAILABLE UPON REQUEST)
- ROOF TIE-BACK ANCHOR TEST PROGRAM FOR: 5th AND HUNTINGTON APARTMENTS, 1212 SOUTH 5th AVE, MONROVIA, CA. PREPARED BY SPECIALIZED TESTING, PROJECT NO. STATH1547, DATED JULY 20, 2017 (AVAILABLE UPON REQUEST)
- PER IAPMO UES ER 461, SECTION 3.2.1, THE HARDY ROOF TIE-BACK SYSTEMS ACHIEVE A 5000 POUND PEAK LOAD WITHOUT PERMANENT DEFORMATION IN THE VERTICAL AND HORIZONTAL DIRECTIONS.
- PER IAPMO UES ER 461, SECTION 3.2.2, THE ASD LEVEL STRENGTH FOR THE HARDY ROOF TIE-BACK DEVICES IS 1250 POUND MAXIMUM IN THE VERTICAL AND HORIZONTAL DIRECTIONS

HARDY ROOF TIE-BACK SYSTEM IDENTIFICATION

4288 Clubhouse Dr., Somis, CA 93066
805-404-5196

US Patent No. 10,053,878
 MADE IN THE USA
www.hardyfps.com



HARDY TIE BACK ANCHOR DEVICE AND TYPICAL INSTALLATION DETAILS

HARDY FALL PROTECTION SYSTEM INC.
 4288 CLUBHOUSE DR.
 SOMIS CA 93066
 WWW.HARDYFPS.COM
 EMAIL: G.HARDY@HARDYFPS.COM
 P.H. (805) 404-5196

Job Number: _____
 Scale: NOT TO SCALE
 Date: MARCH 5, 2018
 Drawing Number: HTB