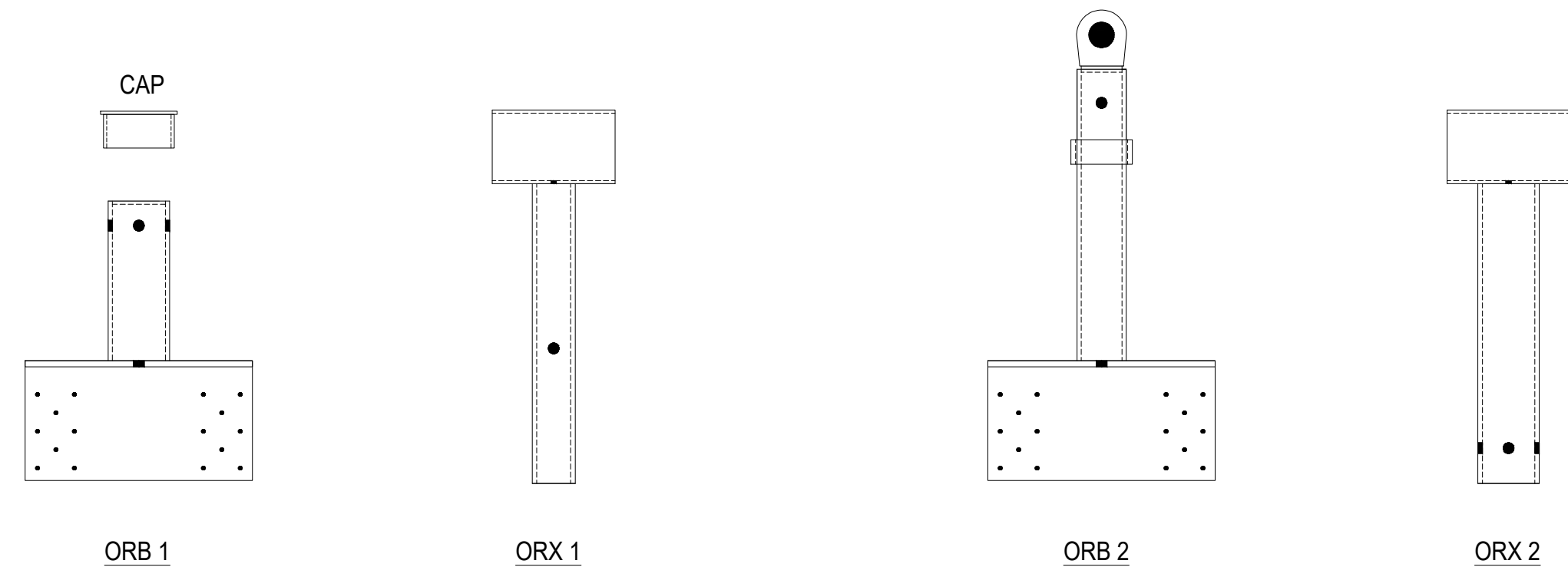
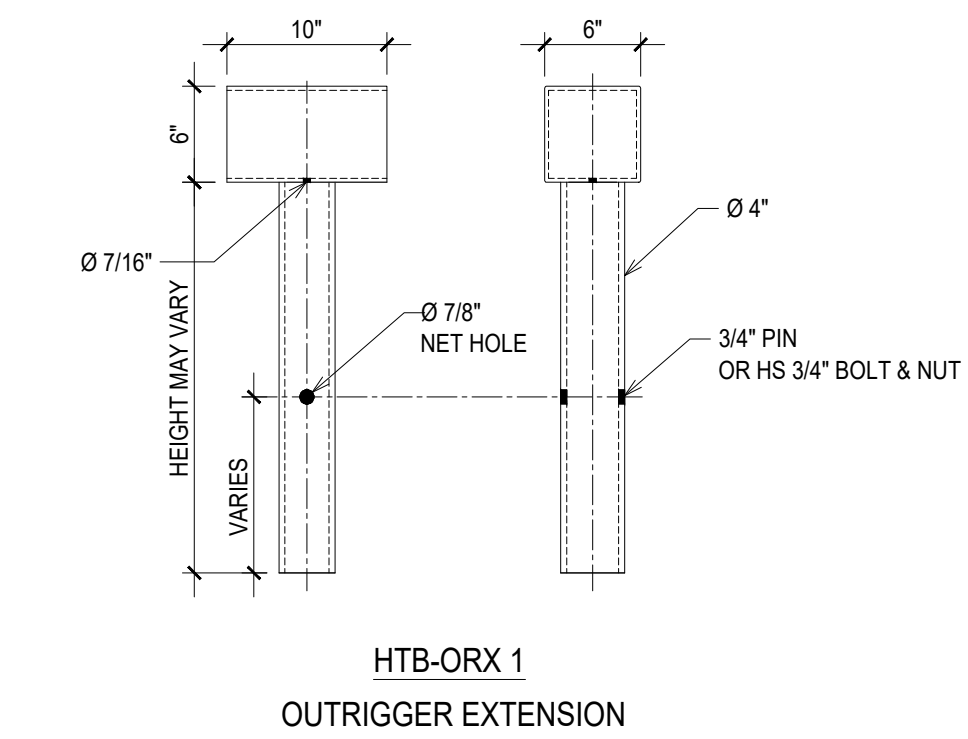
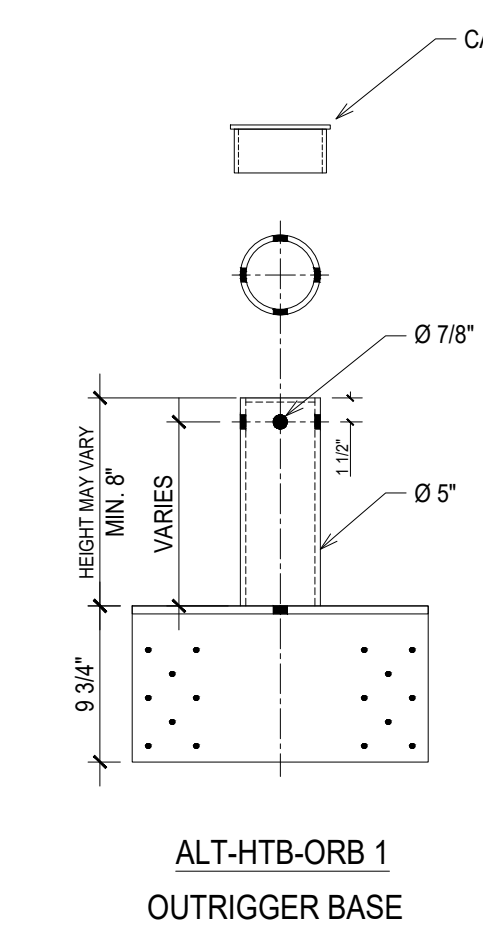
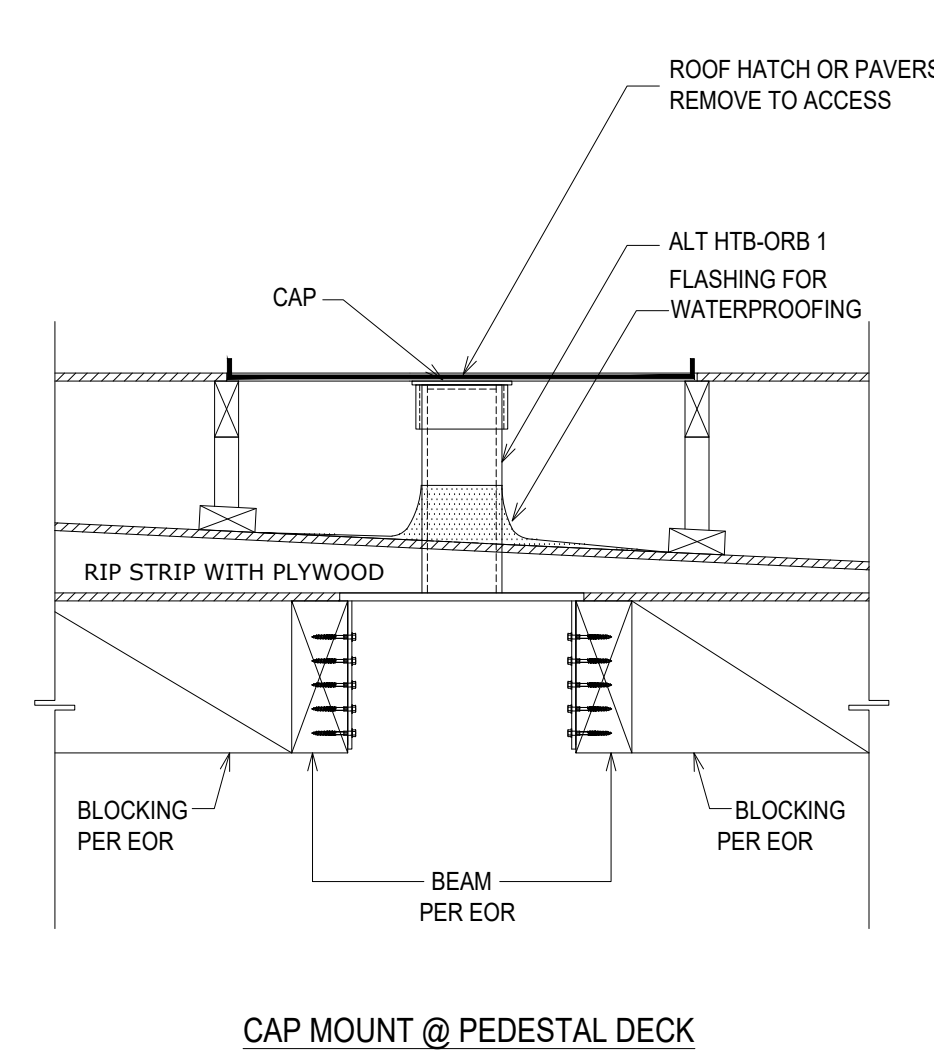
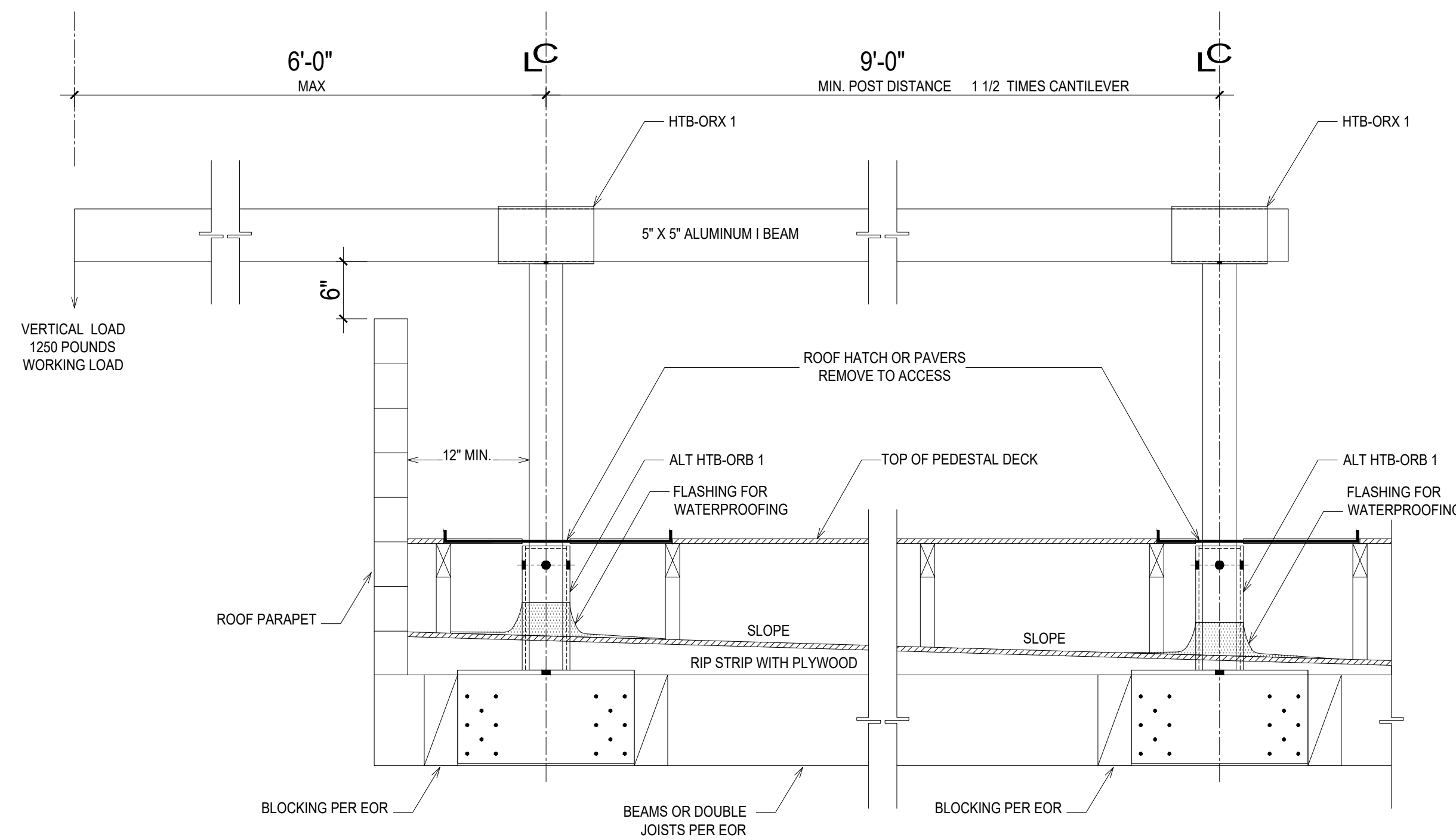


MFG Part #	Product Description	Fastening Requirements		Weight
		Type & Size	Total Per HTB	
ALT HTB-ORB-1	Outrigger Base	SDS Screw - 1/4" x 3"	32	120#
ALT HTB-ORB-2			32	130#
HTB-ORX-1	Outrigger Extension	3/4" X 7" HS Pin or 3/4" x 7" HS Bolt/Nut Galvanized	1	50#
HTB-ORX-2			1	45#

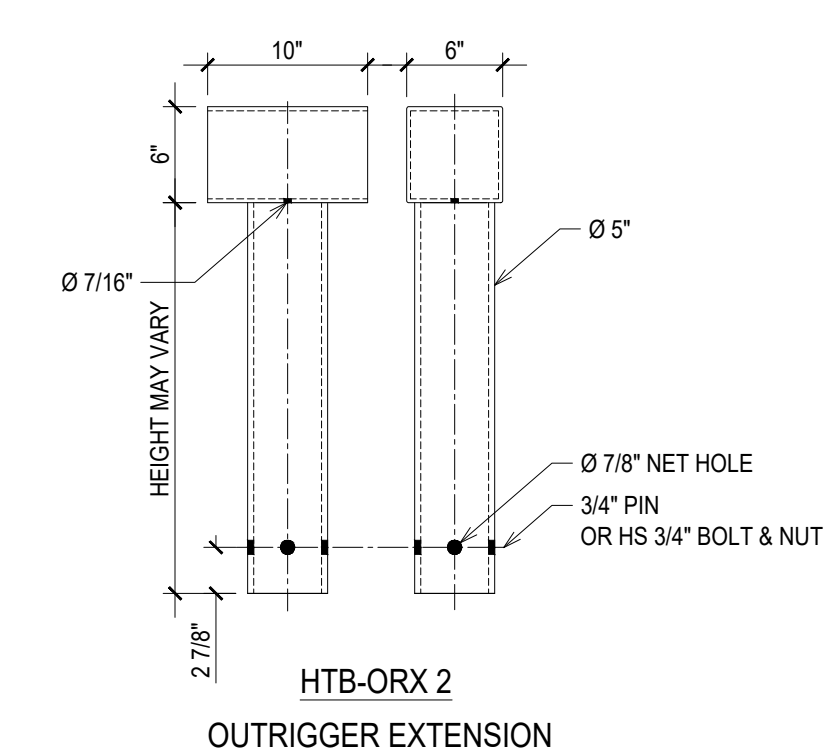
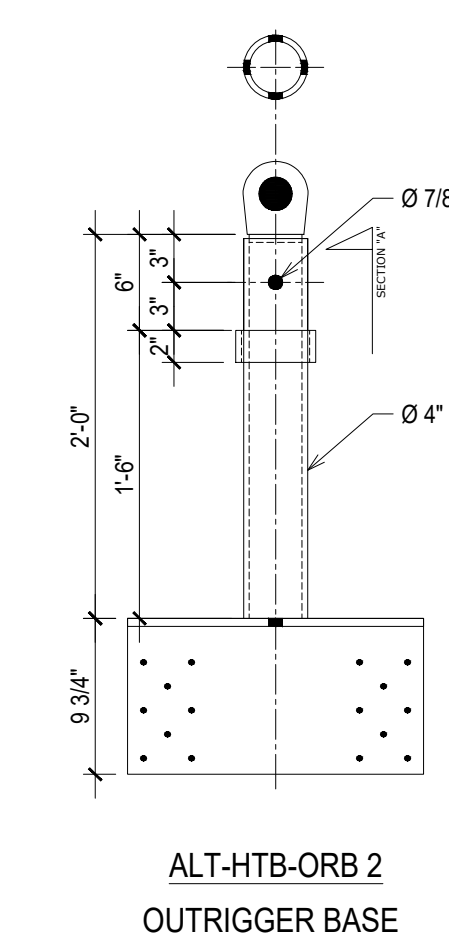
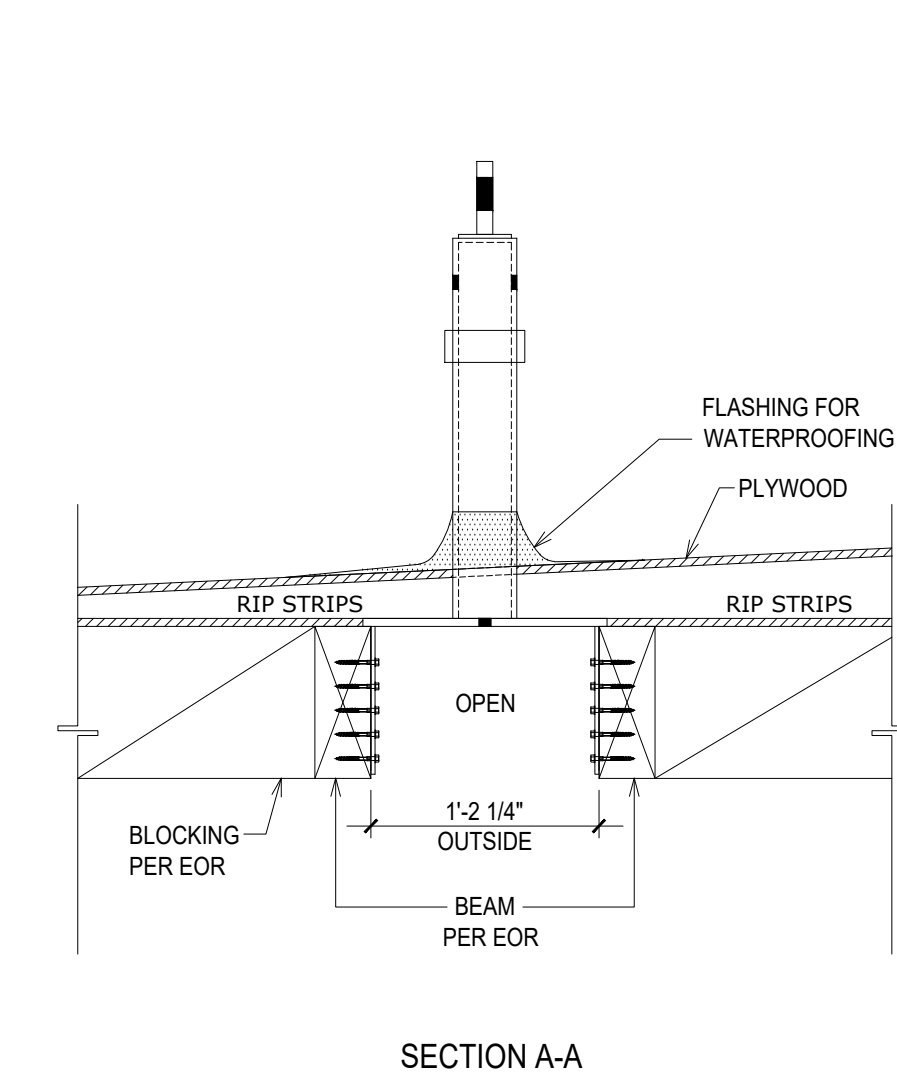
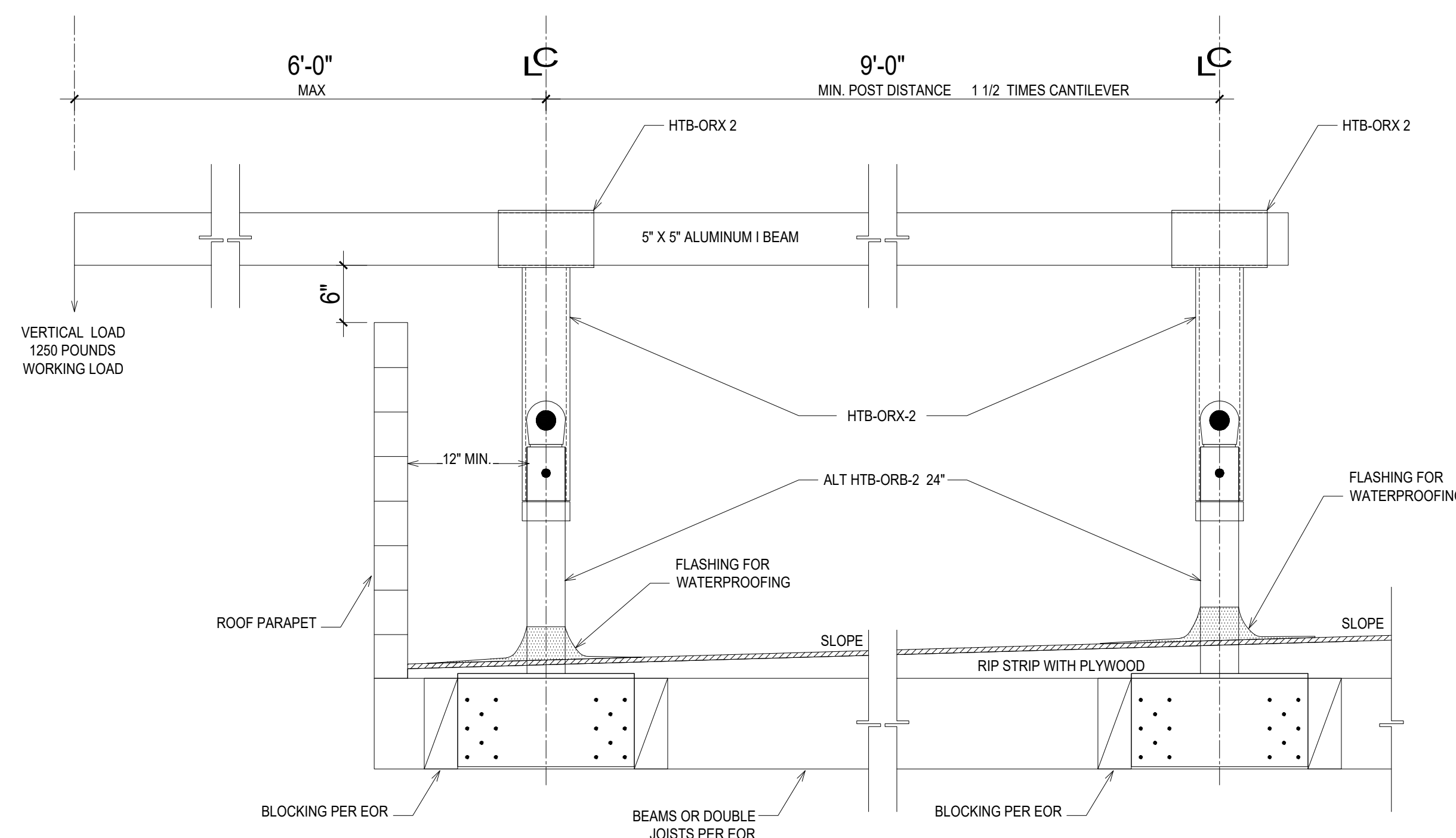


IAPMO ER# 461  
2020 L.A. CITY RESIDENTIAL CODE (LARC)  
2020 L.A. CITY BUILDING CODE (LABC)

OUTRIGGER SYSTEM PEDESTAL DECKS ALT HTB-ORB-1



OUTRIGGER SYSTEM SLOPPED ROOFS ALT HTB-ORB-2



HARDY  
OUTRIGGERS



ISSUE/REVISION	DATE
REV.#1	5-20-22
---	---
---	---

JOB NO. ---

SCALE: NOT TO SCALE  
DATE: 26 APRIL 2022  
DRAWING NUMBER

ALT. HTB. ORB  
SHEET 1 OF 1

DETAILS FOR REFERENCE--EOR TO DESIGN STRUCTURAL ELEMENTS-BEAMS, TRUSSES, BLOCKING, STRAPPING, ETC.