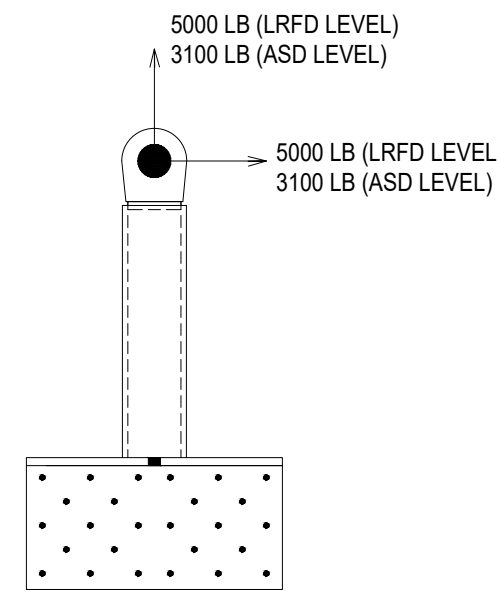


MFG Part #	Product Description	Fastening Requirements		Weight
		Type & Size	Total Per Tie Back	
HTB-S12	12" Hardy Saddle Tie Back	SDS Screw - 1/4" x 2 1/2"	32	65#
HTB-S18	18" Hardy Saddle Tie Back	SDS Screw - 1/4" x 2 1/2"	40	70#
HTB-S24	24" Hardy Saddle Tie Back	SDS Screw - 1/4" x 2 1/2"	52	75#
HTB-SCM	Saddle Cap Mount	SDS Screw - 1/4" x 2 1/2"	32	65#
HTB-SADI-CM/FM	Saddle Adjustable Cap Mount or Flush Mount	SDS Screw - 1/4" x 2 1/2"	32	65#

NOTES:  
 - USE 1/4"x3" SDS SCREWS ON FILLER SIDE WHEN USING A 5-1/4" EWP BEAM.  
 - CAP MOUNT (SCM) CAP GOES BELOW PEDESTAL DECK/SKIRT FITS OUTSIDE THE SLEEVE AREA.  
 - SFM NEEDS TO BE SEALED OVER FINISH SURFACE. TEST BEFORE SEALING.  
 - 3" ADJUSTS FROM 3 1/2" O 6 1/2" FROM TOP OF BEAM.  
 - 6" ADJUSTS FROM 6 1/2" TO 9 1/2" FROM TOP OF BEAM.



IAPMO UES ER 461, SECTION 3.2.2  
 3.2.2 ALLOWABLE STRESS DESIGN (ASD); IN COMPLIANCE WITH SECTION 4.6.5 OF ASCE 7-16, THE ASD LEVEL STRENGTH FOR THE HARDY ROOF TIE-BACK DEVICES IS 3,100 POUNDS (13.8 KN) MAXIMUM IN THE HORIZONTAL AND VERTICAL DIRECTIONS. WHEN PLACED ON AND FASTENED TO THE STRUCTURAL SUPPORTS, THE DEVICE SHALL BE DESIGNED TO DEVELOP THE 3,100 POUNDS (13.8 KN) ASD STRENGTH. FASTENING TO WOOD BASED ON CD = 1.5 IN ACCORDANCE WITH THE ANSII/AWC NDS. DESIGN SHALL COMPLY WITH IBC CHAPTER 23 AND ANSII/AWC NDS.

### HTB-S INSTALLATION INSTRUCTIONS

- BEST TO INSTALL HTB-S TIE BACKS WHILE BEAMS ARE ON THE GROUND PRIOR RAISING INTO POSITION.
- SUPPORT BEAMS AND TRUSSES FOR THE HTB-S ARE TO BE DESIGNED BY THE EOR.
- 5/16" HOLES PROVIDED ON SADDLE TO ALLOW ATTACHMENT OF STRUCTURAL MEMBERS. USE 1/4"x2 1/2" SDS SCREWS. USE ALL PROVIDED HOLES. USE 1/4"x3" SDS SCREWS ON FILLER SIDE WHEN USING A 5-1/4" EWP BEAM.
- PER CALIFORNIA CODE OF REGULATIONS TITLE 8 SECTION 3291, DEVICES SHOULD BE SPACED AT APPROXIMATELY 12-FOOT INTERVALS; HOWEVER, THE SPACING SHALL DEPEND PRIMARILY ON THE AVAILABILITY OF ROOF STRUCTURAL MEMBERS OF SUFFICIENT STRENGTH TO SAFELY CARRY APPLIED LOADS. PLACE SUPPORT BEAMS ON STANDARD TRUSS OR JOIST LAYOUT

### RECOMMENDATIONS

- DESIGN OF STRUCTURAL MEMBERS PER EOR (5-1/4" MINIMUM)
- STRUCTURAL SUPPORT ATTACHED TO TRUSSES TO BE DESIGNED BY EOR AND SHOULD HAVE ENOUGH LENGTH AND FASTENERS TO THE TRUSS TO ALLOW FOR FULL TRANSFER OF FORCES TO THE TRUSSES
- STRUCTURAL SUPPORT ATTACHED TO THE TRUSS IS RECOMMENDED TO BE OF ENGINEERED WOOD TO MINIMIZE SPLITTING

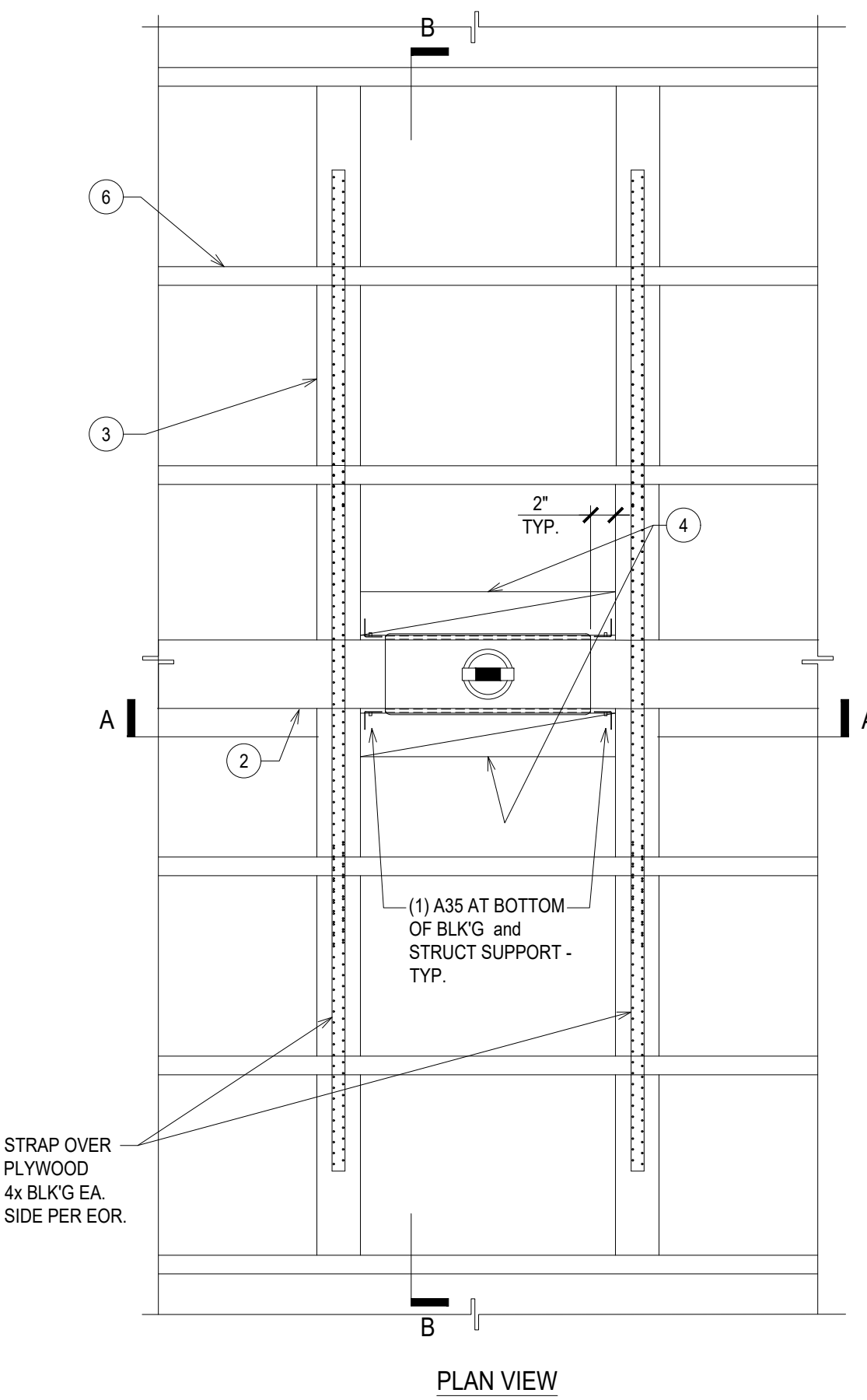
### ANY QUESTIONS REGARDING INSTALLATION

CALL: GARY HARDY 1 (805) 404-5196 ANCHOR TESTING SHALL BE CONDUCTED BY QUALIFIED PERSONNEL UNDER THE SUPERVISION OF A PROFESSIONAL ENGINEER IN ACCORDANCE WITH THE CALIFORNIA CODE OF REGULATIONS, TITLE 8, SECTION 3296.

NOTE:  
 1. HARDY SADDLE ANCHOR FABRICATOR IS TOBIN STEEL, LA CITY FABRICATOR LICENSE #975 ICC-ESR 1822 IAPMO ER# 461  
 2. HARDY TIE BACK ANCHOR DEVICE HAS BEEN TESTED BY CERTIFIED TESTING AGENCY TO MEET OR EXCEED OSHA AND CALOSHA REQUIREMENTS.



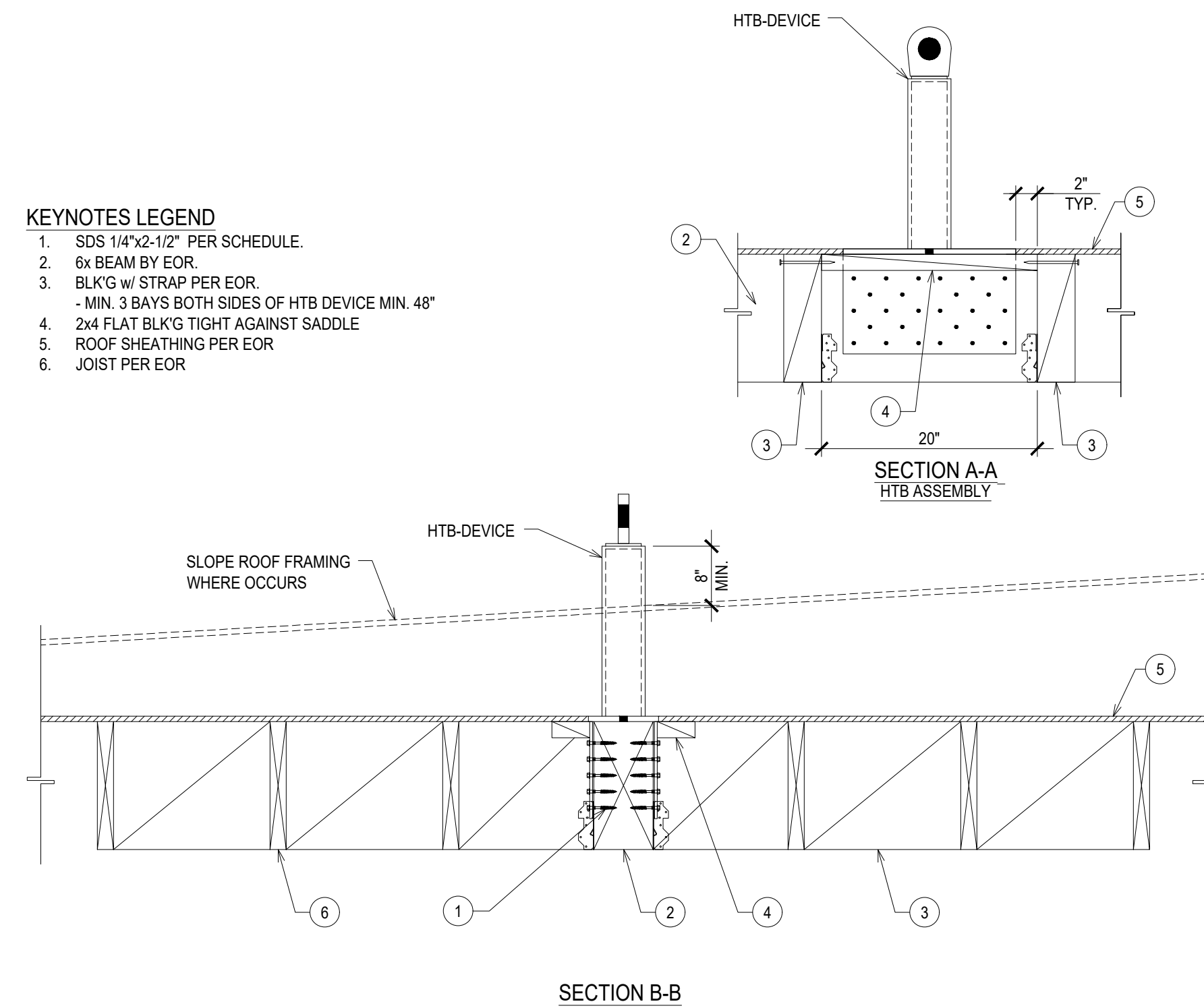
IAPMO ER# 461  
 2020 L.A. CITY RESIDENTIAL CODE (LARC)  
 2020 L.A. CITY BUILDING CODE (LABC)



HTB-S SADDLE LAYOUT DETAIL W/ 2x FRAMING 1

### KEYNOTES LEGEND

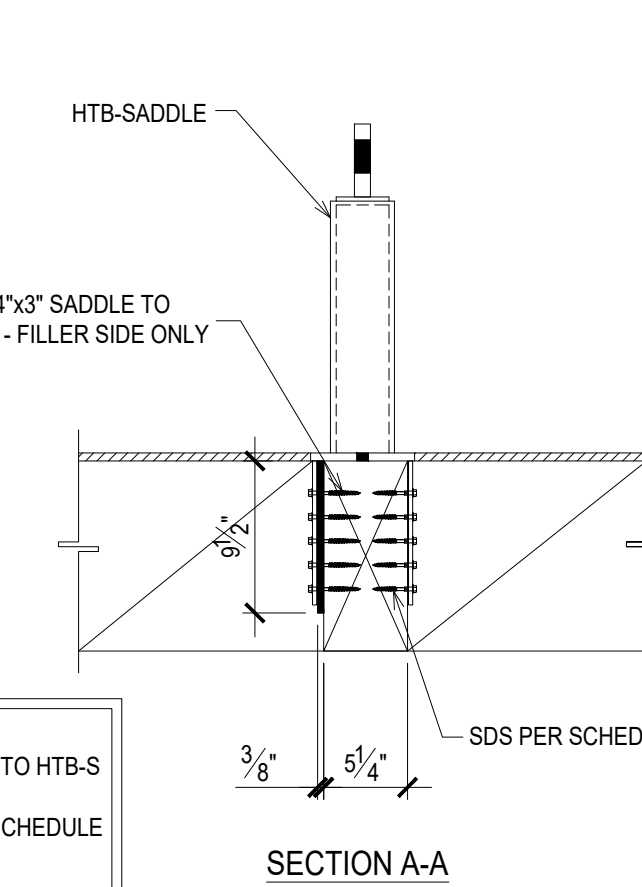
- SDS 1/4"x2-1/2" PER SCHEDULE.
- 6x BEAM BY EOR.
- BLKG w/ STRAP PER EOR.  
- MIN. 3 BAYS BOTH SIDES OF HTB DEVICE MIN. 48"
- 2x4 FLAT BLKG TIGHT AGAINST SADDLE
- ROOF SHEATHING PER EOR
- JOIST PER EOR



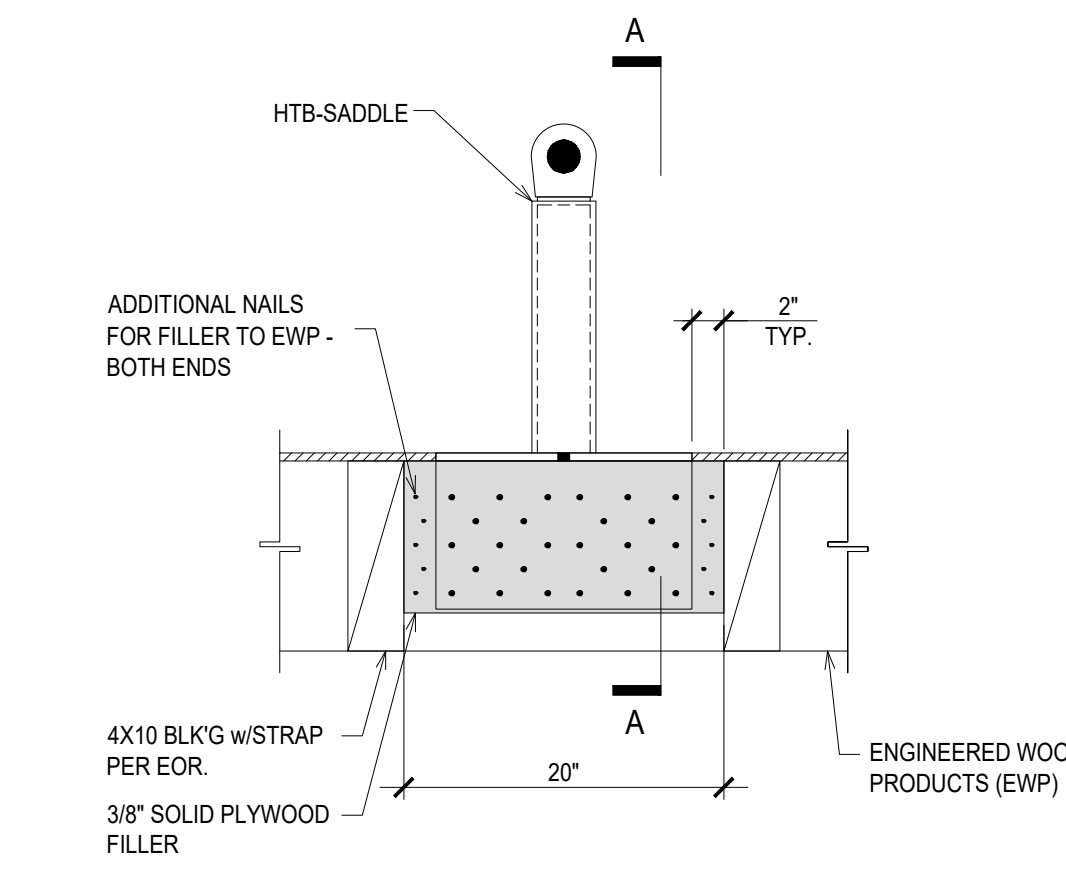
SECTION B-B

### NOTE:

- SOLID PLYWOOD FILLER TO BE NAILED TO EWP PRIOR TO HTB-S SADDLE INSTALLATION.
- USE SDS 3 X 1/4 IN LIEU OF RECOMMENDED SDS PER SCHEDULE ON FILLER SIDE ONLY

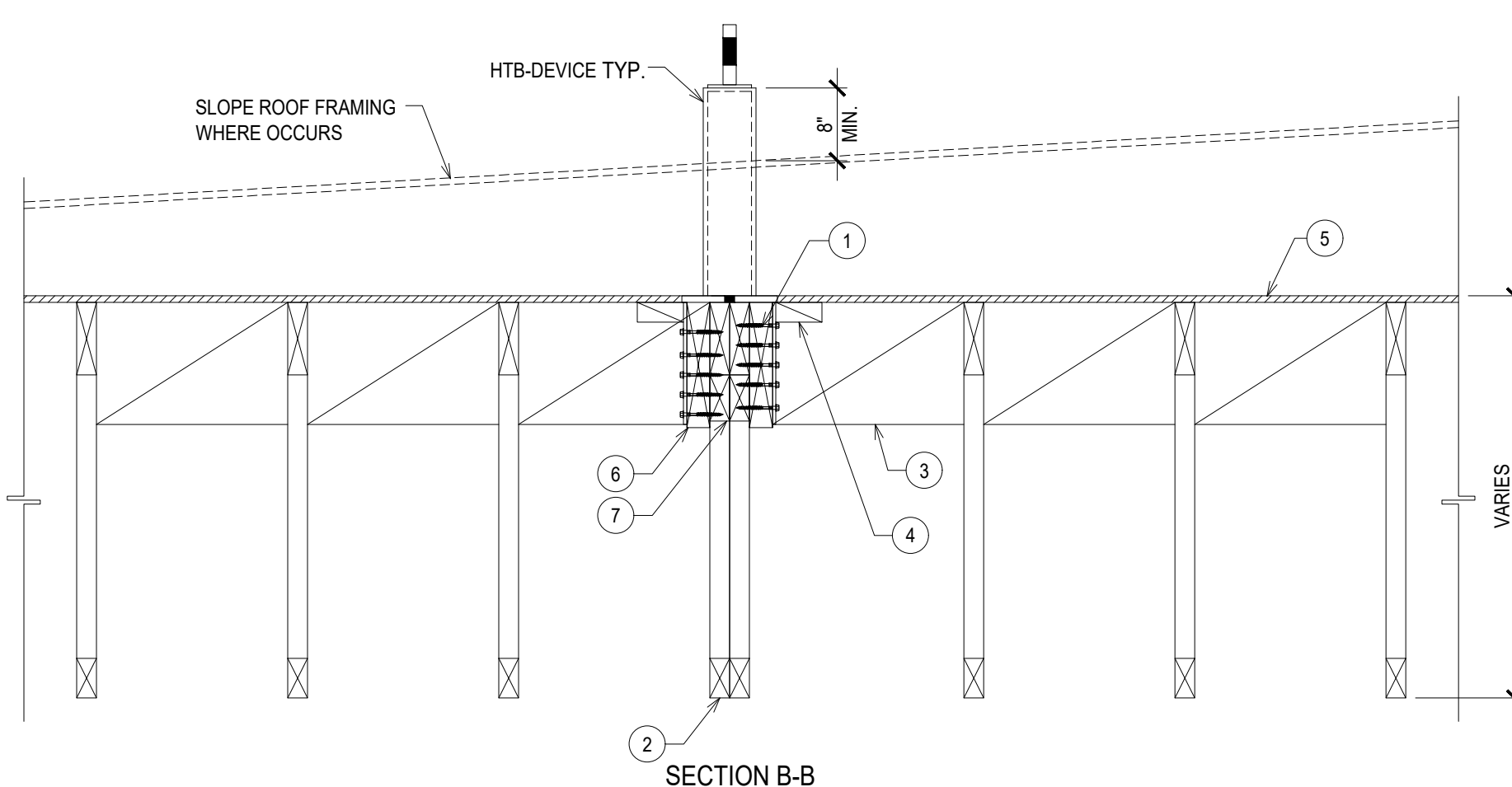


SECTION A-A



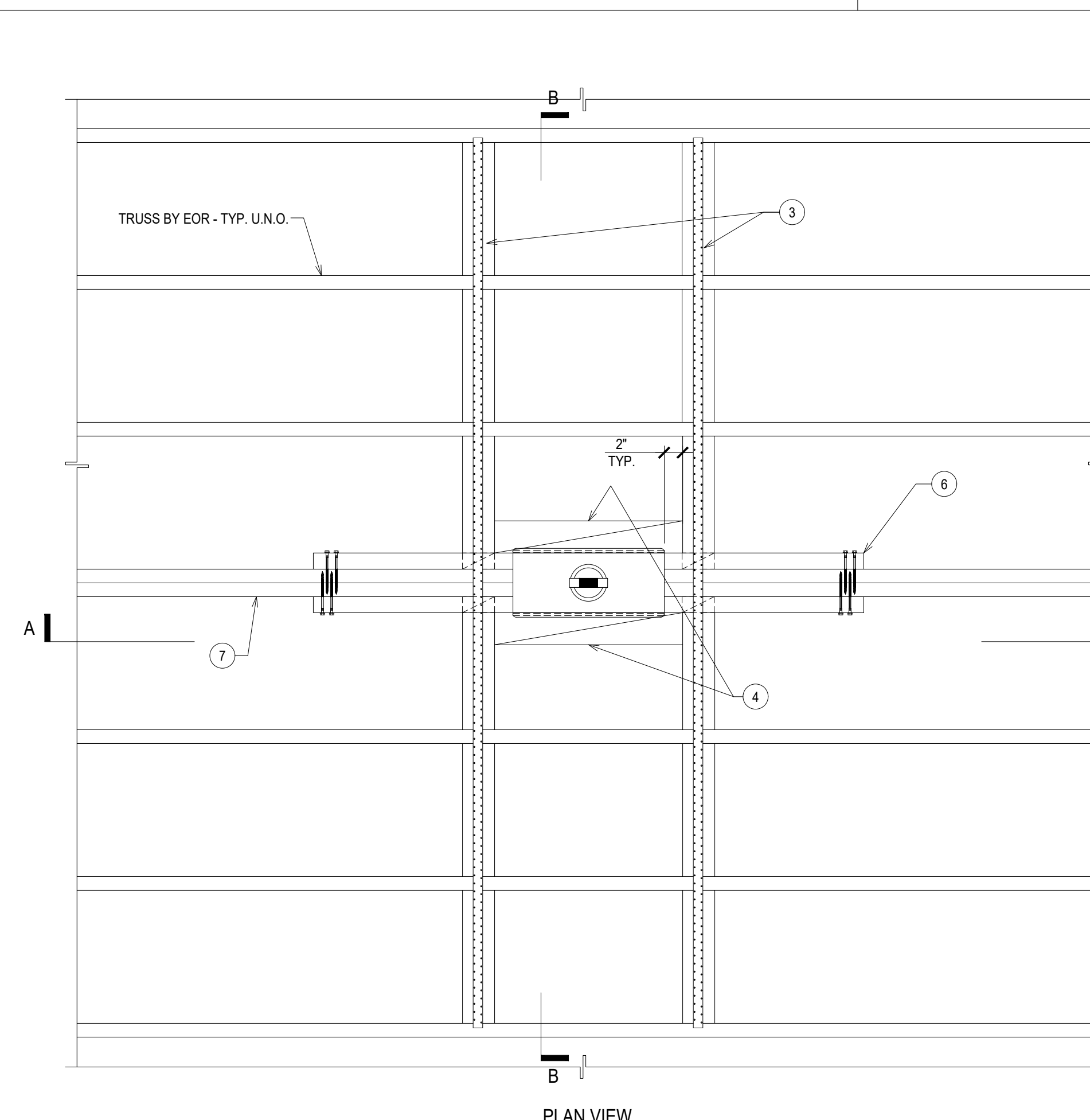
HTB-SADDLE WITH EWP 5 1/4" WITH FILLER 4

MFG Part #	Product Description	Fastening Requirements	
		Type & Size	Total Per Tie Back
HTB-SDT 12	Saddles On Double Truss/EWP Each Side HTB-SDT is 6 3/4" wide	SDS Screw - 1/4" x 3"	32
HTB-SDT 18		SDS Screw - 1/4" x 3"	40
HTB-SDT 24		SDS Screw - 1/4" x 3"	52



SECTION B-B

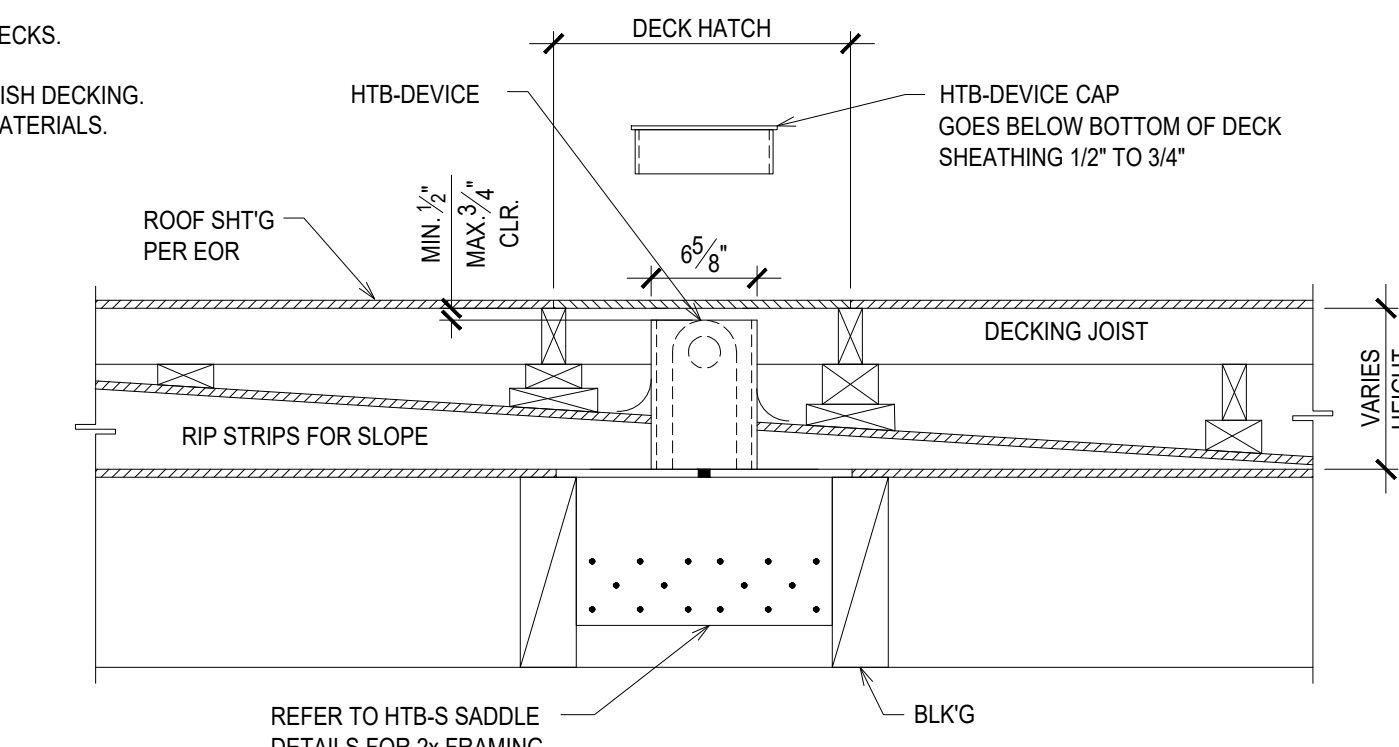
DETAILS FOR REFERENCE--EOR TO DESIGN STRUCTURAL ELEMENTS-BEAMS, TRUSSES, BLOCKING, STRAPPING, ETC.



PLAN VIEW

HTB-SCM CAP MOUNT USED BELOW PEDESTAL DECKS.

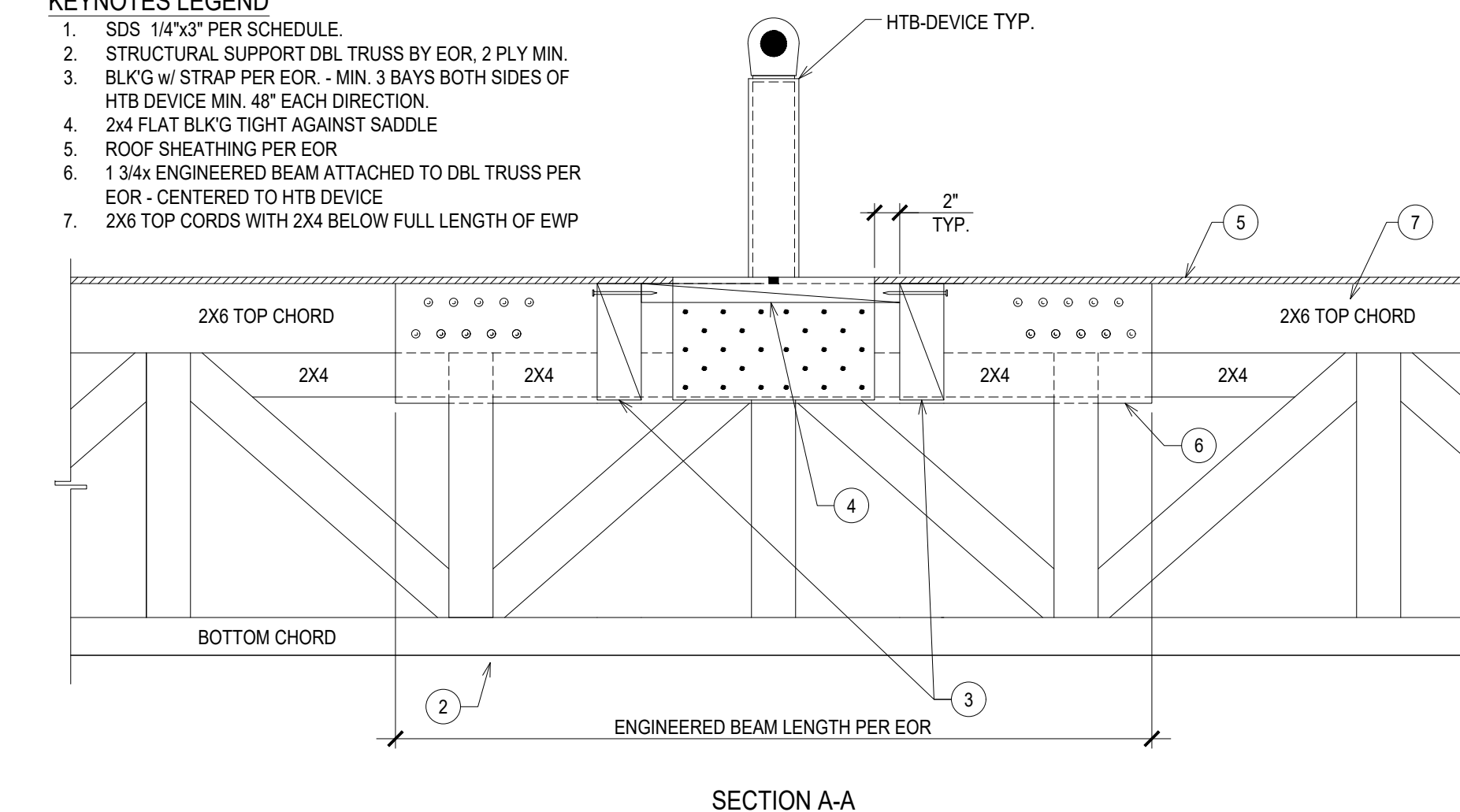
HTB-SFM FLUSH MOUNT USED AT SLOPPED FINISH DECKING. NEEDS TO BE SEALED OVER FINISH MATERIALS.



HTB-SCM LAYOUT ON BLW ROOF DECK ABV RIP STOPS 3

### KEYNOTES LEGEND

- SDS 1/4"x3" PER SCHEDULE.
- STRUCTURAL SUPPORT DBL TRUSS BY EOR, 2 PLY MIN.
- BLKG w/ STRAP PER EOR - MIN. 3 BAYS BOTH SIDES OF HTB DEVICE MIN. 48" EACH DIRECTION
- 2x4 FLAT BLKG TIGHT AGAINST SADDLE
- ROOF SHEATHING PER EOR
- 1 3/4x ENGINEERED BEAM ATTACHED TO DBL TRUSS PER EOR - CENTERED TO HTB DEVICE
- 2X6 TOP CORDS WITH 2X4 BELOW FULL LENGTH OF EWP



SECTION A-A

WOOD TRUSSES USE HTB-SDT (SADDLE DOUBLE TRUSS) WITH EWP (1 3/4" X 9 1/2") EACH SIDE 2

HARDY TIE BACK ANCHOR DEVICE  
 HTB-S DETAIL SHEET



ISSUE/REVISION	DATE
REV.#1	5-12-2022
---	---
---	---
JOB NO.	---
SCALE:	NOT TO SCALE
DATE:	SEPTEMBER 8, 2020
DRAWING NUMBER	---

HTB-S  
 SHEET 1 OF 1